

DELTA OMEGA

CRISTINA Design Lab



■ CRISTINA
RUBINETTERIE



Contemporary Collection

La collezione è continuamente arricchita dall'apporto creativo dei designer che collaborano con CRISTINA Rubinetterie. Un vero e proprio racconto progettuale che definisce il vivere quotidiano, grazie a prodotti che trovano nella modernità dei canoni estetici la loro ragion d'essere.

The collection is constantly enriched by the creative contribution of the designers who work with CRISTINA Rubinetterie. A true design story that defines everyday life, thanks to products that find their reason for being in the modernity of their aesthetic canons.



Delta
CRISTINA Design Lab



Delta, CRISTINA Design Lab

Una serie compatta e versatile dalle proporzioni equilibrate per un bagno moderno, funzionale ed essenziale.

A compact and versatile range with balanced proportions for a modern, functional, and essential bathroom.

Ispirazione "urbana", i miscelatori si distinguono per una pulizia estetica e funzionale decisa.

Urban inspiration, the mixers are characterized by a distinct aesthetic and functional cleanliness.





CRIDE237_13



Dettagli di progettazione: angoli smussati e linee morbide.
Design details: chamfered edges and soft lines.

CRIDE220_51



Un'unica fusione fra il corpo e la bocca del miscelatore.
Un pezzo unico e inimitabile.

*A single fusion between the body and the spout of the mixer.
A unique and unrivaled piece.*





Omega
CRISTINA Design Lab



Omega, CRISTINA Design Lab

Un design semplice che riesce ad unire praticità e versatilità, abbinabile ad ogni contesto. Uno stile metropolitano caratterizzato da linee rette e angoli in evidenza.

A simple design that manages to combine practicality and versatility, suitable for any setting. Uno stile metropolitano caratterizzato da linee rette e angoli in evidenza. A metropolitan style characterized by straight lines and prominent angles.

Look minimal dalle linee rigorose
A minimal look with precise lines



CRIOG237_51



Il miscelatore è realizzato con il corpo e la bocca fusi in un unico pezzo, per dare ancora più forza all'essenzialità del disegno.

The mixer is crafted with the body and spout fused into a single piece, enhancing the essentiality of the design.

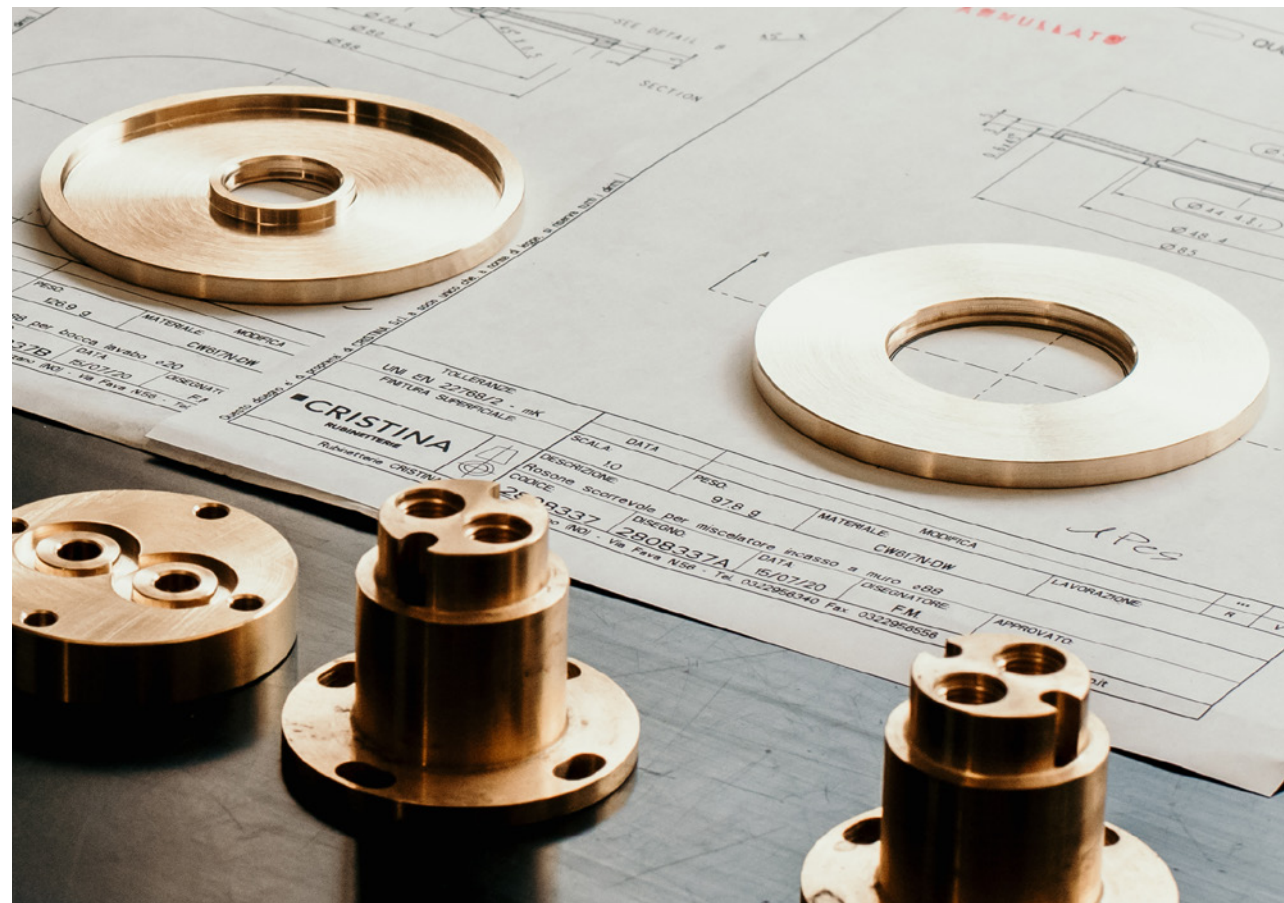
CRIOG180_51



CRISTINA Design Lab_Bio

Il dipartimento interno di Ricerca & Sviluppo, da sempre fiore all'occhiello dell'azienda, è totalmente dedicato all'ideazione di soluzioni innovative, in grado di soddisfare le diverse esigenze della committenza.

The internal Research & Development department is the company's flagship, entirely dedicated to the creation of innovative solutions satisfying different customer needs.



Nel corso degli anni, infatti, l'azienda si è contraddistinta sul mercato per essere pioniera di stili e tendenze: è stata tra le prime ad introdurre, nel 1968 in Europa, il miscelatore termostatico e a proporre una gamma di 100 colorazioni superficiali, grazie all'apertura di un reparto dedicato alla verniciatura e, successivamente, di uno alla galvanica, rivoluzionando così il comparto.

Over the years, CRISTINA has distinguished itself on the market as a pioneer of style and trends. In 1968, it became the first company in Europe to introduce the thermostatic valve mixer and offering a range of 100 surface colours. Thanks to the opening of its own painting division, followed by the galvanic process department, the company revolutioned the whole compartment.

Per CRISTINA la ricerca della qualità è un obiettivo strategico che la vede impegnata non solo nella progettazione ma anche nella ricerca di materie prime eccellenti, ecologiche, dalle straordinarie prestazioni tecniche e in grado di resistere nel tempo, mantenendo intatta l'estetica.



For CRISTINA, the search for quality is a strategic objective that inspires design. Focus is placed on high quality raw materials, achieving balance between ecological considerations, extraordinary technical performance and consistent durability. All achieved without compromise on aesthetics.

Ne è un esempio, l'utilizzo già dal 2003 dell'acciaio inox (garantito dal marchio di qualità rilasciato dal Centro Inox) a cui l'azienda ha dedicato un'intera divisione. Una soluzione ideale per i prodotti bagno e cucina che, oltre ad offrire un'immagine esclusiva e un'appeal moderno, si distingue per essere altamente igienico, facile da pulire ed eco-friendly, in quanto più dell'80% è ottenuto da riciclo, riducendo l'impatto ambientale.

As an exemple of this, the company has committed to the use of stainless steel (guaranteed by the quality brand issued by Centro Inox), founding its own dedicated division in 2003. Offering a minimal finish and modern appeal, a material that's extremely hygienic

and easy to clean, it's ideally suited to the production of bathroom and kitchen taps. With over 80% recycled material its environmental impact is minimal making it an eco-friendly choice.

Il CRISTINA Design Lab, inoltre, collabora attivamente con i designer coinvolti nella ricerca e nella progettazione di soluzioni tecnologiche e prodotti all'avanguardia.

The CRISTINA Design Lab actively collaborates with designers involved in the research and design of technological solutions and cutting-edge products.

Finiture
Finishings



13

Nero opaco
Black matt
RAL 9005



51

Cromo
Chrome

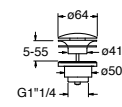


Technical info

Delta
CRISTINA Design Lab

CRIDE220

REGULAR



- IT Miscelatore monocomando Lavabo Regular monoforo da piano, con miscelazione meccanica
- DE 1-Loch Waschtisch-Einhandmischer Regular, mit mechanischer Mischung
- FR Mitigeur monocommande de Lavabo Regular monotrou sur plage, réglage mécanique
- EN Regular single-control deck-mounted single-hole washbasin mixer, with mechanical mixing
- ES Mezclador monomando para lavabo Regular, 1 orificio, de repisa, con mezcla mecánica

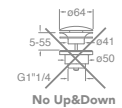
CRIDE220

51 cromo

13 nero opaco

CRIDE920

51 cromo

**CRIDE920**

REGULAR

CRIDE221

REGULAR



- IT Miscelatore monocomando Lavabo Regular monoforo da piano, con miscelazione meccanica, scarico da 1" 1/4 con asta e saltarello
- DE 1-Loch Waschtisch-Einhandmischer Regular, mit mechanischer Mischung, Ablaufgarnitur 1"1/4, Zugstange und Stöpsel
- FR Mitigeur monocommande de Lavabo Regular monotrou sur plage, réglage mécanique, vidage de 1"1/4 avec tirette et bouchon
- EN Regular single-control deck-mounted single-hole washbasin mixer, with mechanical mixing, 1 1/4" with pop-up waste
- ES Mezclador monomando para lavabo Regular, 1 orificio, de repisa, con mezcla mecánica, desagüe de 1" 1/4 con varilla y válvula automática

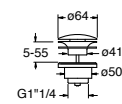
CRIDE221

51 cromo

13 nero opaco

CRIDE227

MEDIUM



- IT Miscelatore monocomando Lavabo Medium monoforo da piano, con miscelazione meccanica
- DE 1-Loch Waschtisch-Einhandmischer Medium, mit mechanischer Mischung
- FR Mitigeur monocommande de Lavabo Medium monotrou sur plage, réglage mécanique
- EN Medium single-control deck-mounted single-hole washbasin mixer, with mechanical mixing
- ES Mezclador monomando para lavabo Medium, 1 orificio, de repisa, con mezcla mecánica

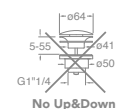
CRIDE227

51 cromo

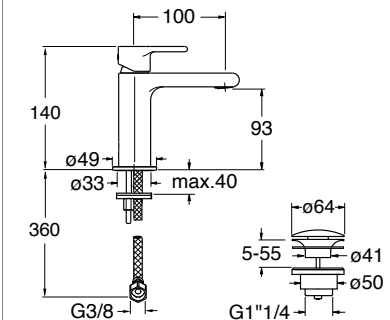
13 nero opaco

CRIDE927

51 cromo

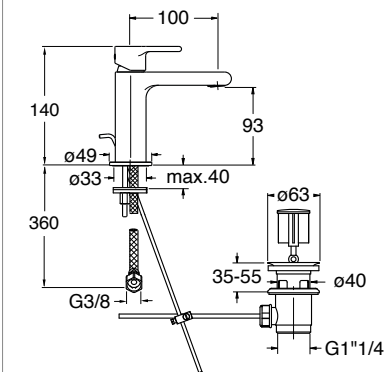
**CRIDE927**

MEDIUM

CRIDE220

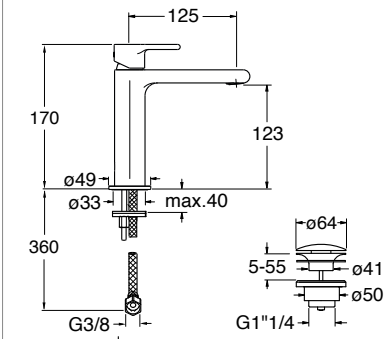
5,6 l/min (3 bar)

CRICR24291Q00

CRIDE221

5,6 l/min (3 bar)

CRICR24291Q00

CRIDE227

5,6 l/min (3 bar)

CRICR24291Q00

CRIDE223

MEDIUM

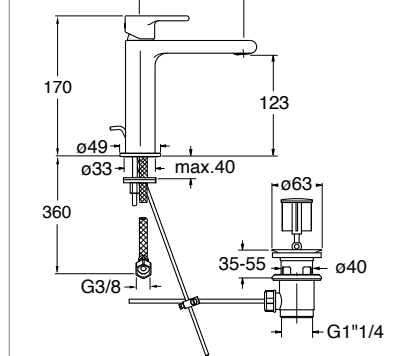


- IT Miscelatore monocomando Lavabo Medium monoforo da piano, con miscelazione meccanica, scarico da 1" 1/4 con asta e saltarello
- DE 1-Loch Waschtisch-Einhandmischer Medium, mit mechanischer Mischung, Ablaufgarnitur 1"1/4, Zugstange und Stöpsel
- FR Mitigeur monocommande de Lavabo Medium monotrou sur plage, réglage mécanique, vidage de 1"1/4 avec tirette et bouchon
- EN Medium single-control deck-mounted single-hole washbasin mixer, with mechanical mixing, 1 1/4" pop-up waste
- ES Mezclador monomando para lavabo Medium, 1 orificio, de repisa, con mezcla mecánica, desagüe de 1" 1/4 con varilla y válvula automática

CRIDE223

51 cromo

13 nero opaco

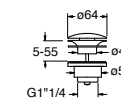
CRIDE223

5,6 l/min (3 bar)

CRICR24291Q00

CRIDE229

TALL



- IT Miscelatore monocomando Lavabo Tall monoforo da piano, con miscelazione meccanica
- DE 1-Loch Waschtisch-Einhandmischer Tall, mit mechanischer Mischung
- FR Mitigeur monocommande de Lavabo Tall monotrou sur plage, réglage mécanique
- EN Tall single-control deck-mounted single-hole washbasin mixer, with mechanical mixing
- ES Mezclador monomando para lavabo Tall, 1 orificio, de repisa, con mezcla mecánica

CRIDE229

51 cromo

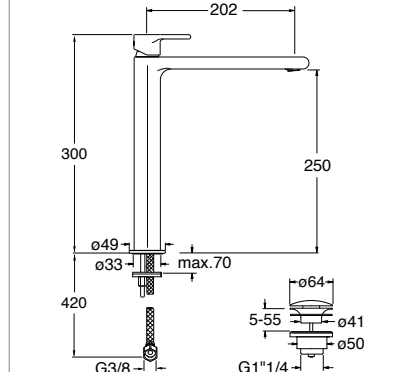
13 nero opaco

CRIDE929

TALL

**CRIDE929**

51 cromo

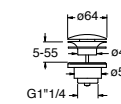
CRIDE229

5,6 l/min (3 bar)

CRICR24291Q00

CRIDE228

REGULAR



- IT Miscelatore monocomando Lavabo Regular monoforo da piano, con miscelazione meccanica laterale, bocca orientabile
- DE 1-Loch Waschtisch-Einhandmischer Regular, mit seitlicher mechanischer Mischung, verstellbarem Auslauf
- FR Mitigeur monocommande de Lavabo Regular monotrou sur plage, réglage mécanique latéral, bec orientable
- EN Regular single-control deck-mounted single-hole washbasin mixer, with side mechanical mixing, swivel spout
- ES Mezclador monomando para lavabo Regular, 1 orificio, de repisa, con mezcla mecánica lateral, caño orientable

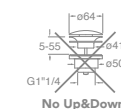
CRIDE228

51 cromo

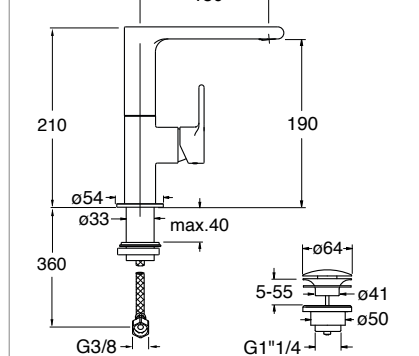
13 nero opaco

CRIDE928

REGULAR

**CRIDE928**

51 cromo

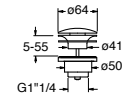
CRIDE228

5,6 l/min (3 bar)

CRICR16492Q00

CRIDE237

REGULAR

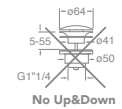


- IT Miscelatore monocomando Lavabo Regular 2 fori a parete, con miscelazione meccanica, completo di parte incasso
- DE 2-Loch Waschtisch-Einhandmischer Regular für Wandmontage, mit mechanischer Mischung, inkl. Unterputz-Einbakörper
- FR Mitigeur monocommande mural de Lavabo Regular 2 trous, réglage mécanique, avec corps d'encastrement
- EN Regular single-control wall-mounted 2-hole washbasin mixer, with mechanical mixing, complete with recessed part
- ES Mezclador monomando para lavabo Regular, 2 orificios, de pared, con mezcla mecánica, dotado de cuerpo empotrado

CRIDE237
51 cromo 13 nero opaco

CRIDE937

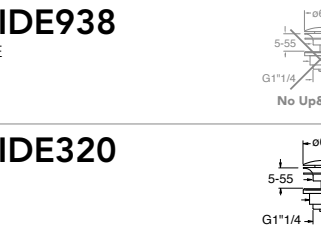
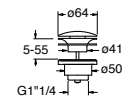
REGULAR



CRIDE937
51 cromo

CRIDE238

LARGE

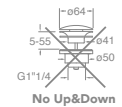


- IT Miscelatore monocomando Lavabo Large 2 fori a parete, con miscelazione meccanica, completo di parte incasso
- DE 2-Loch Waschtisch-Einhandmischer Large, mit mechanischer Mischung, inkl. Unterputz-Einbakörper
- FR Mitigeur monocommande mural de Lavabo Large 2 trous, réglage mécanique, avec corps d'encastrement
- EN Large single-control wall-mounted 2-hole washbasin mixer, with mechanical mixing, complete with recessed part
- ES Mezclador monomando para lavabo Large, 2 orificios, de pared, con mezcla mecánica, dotado de cuerpo empotrado

CRIDE238
51 cromo 13 nero opaco

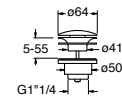
CRIDE938

LARGE



CRIDE938
51 cromo

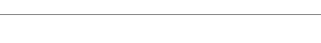
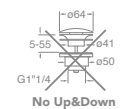
CRIDE320



- IT Miscelatore monocomando Bidet monoforo da piano, con miscelazione meccanica
- DE 1-Loch Einhandmischer für das Bidet, mit mechanischer Mischung
- FR Mitigeur monocommande de bidet monotrou sur plage, réglage mécanique
- EN Single-control deck-mounted single-hole bidet mixer, with mechanical mixing
- ES Mezclador monomando para bidé, 1 orificio, de repisa, con mezcla mecánica

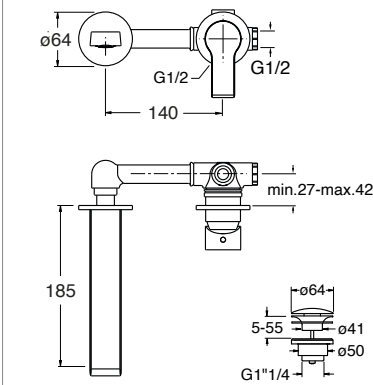
CRIDE320
51 cromo 13 nero opaco

CRIDE370



CRIDE370
51 cromo

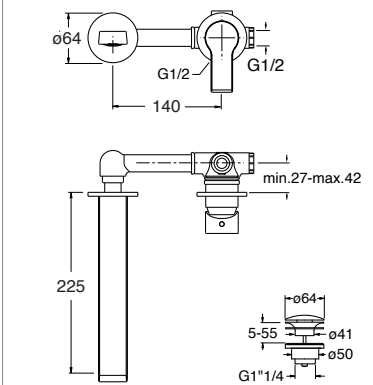
CRIDE237



5,6 1/2 min (3 bar)

CRICR24272Q00

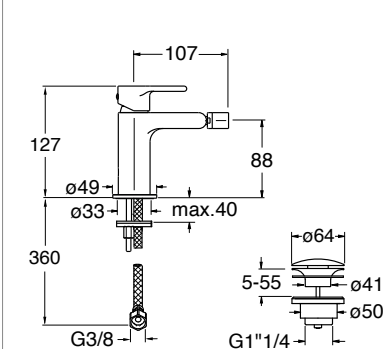
CRIDE238



5,6 1/2 min (3 bar)

CRICR24272Q00

CRIDE320



5,6 1/2 min (3 bar)

CRICR24291Q00

CRIDE321

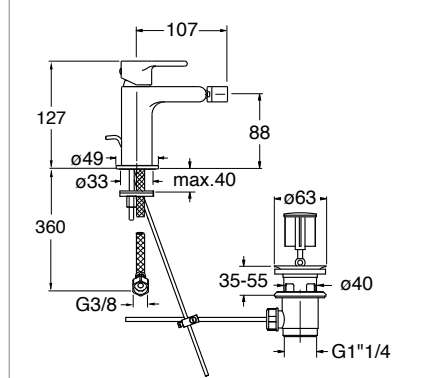


- IT Miscelatore monocomando Bidet monoforo da piano, con miscelazione meccanica, scarico da 1" 1/4 con asta e saltarello
- DE 1-Loch Einhandmischer für das Bidet, mit mechanischer Mischung, Ablaufgarnitur 1" 1/4 mit Zugstange und Stöpsel
- FR Mitigeur monocommande de bidet monotrou sur plage, réglage mécanique, vidage 1" 1/4 avec tirette et bouchon
- EN Single-control deck-mounted single-hole bidet mixer, with mechanical mixing, 1 1/4" pop-up waste
- ES Mezclador monomando para bidé, 1 orificio, de repisa, con mezcla mecánica y desagüe de 1" 1/4 con varilla y válvula automática

CRIDE321
51 cromo 13 nero opaco

CRIDE481
51 cromo 13 nero opaco

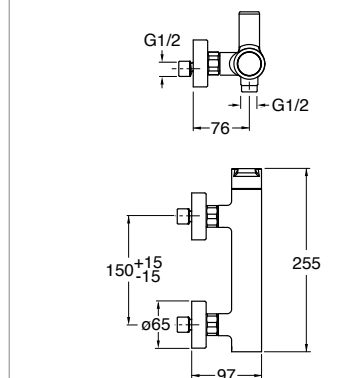
CRIDE321



5,6 1/2 min (3 bar)

CRICR24291Q00

CRIDE481



CRICR24272Q00

CRIDE409



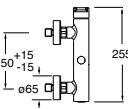
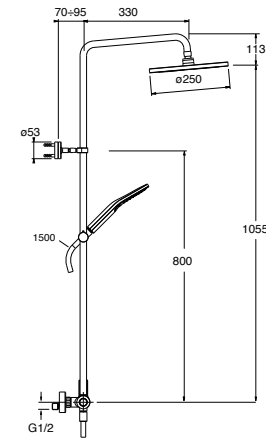
- IT Colonna doccia monocomando a parete, con miscelazione meccanica, soffione anticalcare Ø 250 mm in ABS, braccio orientabile, doccetta anticalcare a getto regolabile, supporto scorrevole, flessibile long life****
- DE Duschsystem für Wandmontage mit Einhandmischer, mechanischer Mischung, Kopfbrause mit Antikalk-System Ø250 mm aus ABS, schwenkbarem Brausearm, Handbrause mit Antikalk-System mit einstellbarem Wasserstrahl, Gleitschieber, Brauseschlauch Long Life****
- FR Colonne de douche monocommande murale, réglage mécanique, douche de tête anticalcaire Ø250 mm en ABS, bras orientable, douchette anticalcaire à jet réglable, support coulissant, flexible long life****
- EN Single-control wall-mounted shower column, with mechanical mixing, Ø250 mm ABS anti-scale showerhead, swivel arm, anti-scale hand shower with adjustable jet, with sliding support, long-life hose****
- ES Columna de ducha monomando, de pared, con mezcla mecánica, rociador antical Ø 250 mm de ABS, brazo orientable, ducha de mano antical de chorro regulable, soporte deslizante, flexo Long Life****

CRIDE409

51 cromo

13 nero opaco

CRIDE409



CRIDE486



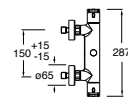
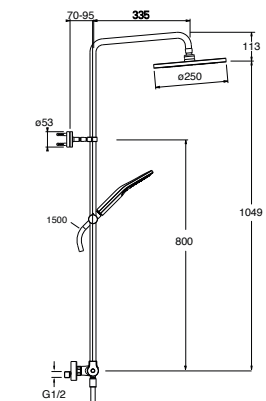
- IT Colonna doccia monocomando a parete, con miscelazione termostatica, deviatore a 2 uscite, soffione anticalcare Ø 250 mm in ABS, braccio orientabile, doccetta anticalcare a getto regolabile, supporto scorrevole, flessibile long life****
- DE Duschsystem mit Einhandmischer für Wandmontage mit thermostatischer Mischung, 2-Wege-Umsteller, Kopfbrause mit Antikalk-System Ø250 mm aus ABS, schwenkbarem Brausearm, Handbrause mit Antikalk-System mit einstellbarem Wasserstrahl, Gleitschieber, Brauseschlauch Long Life****
- FR Colonne de douche murale monocommande, réglage thermostatique, inverseur 2 sorties, douche de tête anticalcaire Ø250 mm en ABS, bras orientable, douchette anticalcaire à jet réglable, support coulissant, flexible long life****
- EN Single-control wall-mounted shower column, with thermostatic mixing, 2-outlet diverter, Ø250 mm ABS anti-scale showerhead, swivel arm, anti-scale hand shower, adjustable jet, sliding support, long-life hose****
- ES Columna de ducha monomando de pared, con mezcla termostática, inversor de 2 salidas, rociador antical Ø 250 mm de ABS, brazo orientable, ducha de mano antical de chorro regulable, soporte deslizante, flexo Long Life****

CRIDE486

51 cromo

13 nero opaco

CRIDE486



CRIDE118



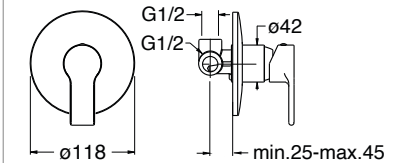
- IT Miscelatore monocomando doccia a parete, piastra in metallo, con miscelazione meccanica, completo di parte incasso
- DE Duschsystem-Wandeinhandmischer, Abdeckplatte aus Metall, mit mechanischer Mischung, inkl. Unterputz-Einbaukörper
- FR Mitigeur monocommande mural de douche, plaque en métal, réglage mécanique, avec corps d'encastrement
- EN Single-control wall-mounted shower mixer, metal plate, with mechanical mixing, complete with recessed part
- ES Mezclador monomando para ducha, de pared, placa de metal, con mezcla mecánica, dotado de cuerpo empotrado

CRIDE118

51 cromo

13 nero opaco

CRIDE118



CRIDE686



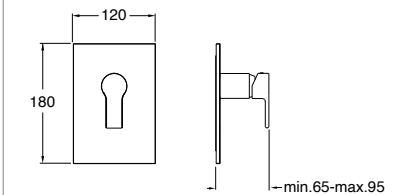
- IT Set esterno monocomando doccia a parete, piastra in metallo, con miscelazione meccanica, da completarsi con parte incasso CRICS535
- DE Fertigmontageset Einhandmischer für Duschsystem für Wandmontage, Abdeckplatte aus Metall, mit mechanischer Mischung, mit Unterputz-Einbaukörper CRICS535 zu vervollständigen
- FR Groupe extérieur monocommande mural de douche, plaque en métal, réglage mécanique, à compléter avec le corps d'encastrement CRICS535
- EN External single-control wall-mounted shower set, metal plate, with mechanical mixing, for completion with recessed part CRICS535
- ES Kit exterior monomando para ducha, de pared, placa de metal, con mezcla mecánica, a completar con cuerpo empotrado CRICS535

CRIDE686

51 cromo

13 nero opaco

CRIDE686



CRIDE689



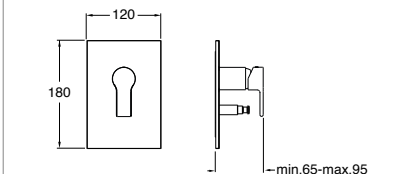
- IT Set esterno monocomando doccia/vasca a parete, piastra in metallo, con miscelazione meccanica, deviatore automatico a 2 uscite, da completarsi con parte incasso CRICS535
- DE Fertigmontageset Wannen-/Brause-Wandeinhandmischer, Abdeckplatte aus Metall, mit mechanischer Mischung, automatischem 2-Wege-Umsteller, zu vervollständigen mit Unterputz-Einbaukörper CRICS535
- FR Groupe extérieur monocommande mural douche/baignoire, plaque en métal, réglage mécanique, inverseur automatique 2 sorties, à compléter avec le corps d'encastrement CRICS535
- EN External single-control wall-mounted shower/bathtub set, metal plate, with mechanical mixing, 2-outlet automatic diverter, for completion with recessed part CRICS535
- ES Kit exterior monomando para ducha/bañera, de pared, placa de metal, con mezcla mecánica, inversor automático de 2 salidas, a completar con cuerpo empotrado CRICS535

CRIDE689

51 cromo

13 nero opaco

CRIDE689

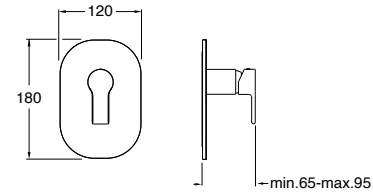


CRIDE656

- IT Set esterno monocomando doccia a parete, piastra in ABS, con miscelazione meccanica, da completarsi con parte incasso CRICS535
- DE Fertigmontageset Einhandmischer für Duschsystem für Wandmontage, Abdeckplatte aus ABS, mit mechanischer Mischung, zu vervollständigen mit Unterputz-Einbaukörper CRICS535
- FR Groupe extérieur monocommande mural de douche, plaque en ABS, réglage mécanique, à compléter avec le corps d'encastrement CRICS535
- EN External single-control wall-mounted shower set, ABS plate, with mechanical mixing, for completion with recessed part CRICS535
- ES Kit exterior monomando para ducha, de pared, placa de ABS, con mezcla mecánica, a completar con cuerpo empotrado CRICS535

CRIDE656

51 cromo 13 nero opaco

CRIDE656**CRICS535**

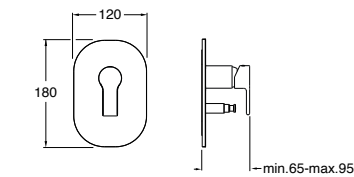
CRICR24272Q00

CRIDE659

- IT Set esterno monocomando doccia/vasca a parete, piastra in ABS, con miscelazione meccanica, deviatore automatico a 2 uscite, da completarsi con parte incasso CRICS535
- DE Fertigmontageset Wannen-/Brause-Wandeinhandmischer, Abdeckplatte aus ABS, mit mechanischer Mischung, automatischem 2-Wege-Umsteller, zu vervollständigen mit Unterputz-Einbaukörper CRICS535
- FR Groupe extérieur monocommande mural douche/baignoire, plaque en ABS, réglage mécanique, inverseur automatique 2 sorties, à compléter avec le corps d'encastrement CRICS535
- EN External single-control wall-mounted shower/bathtub set, ABS plate, with mechanical mixing, 2-outlet automatic diverter, for completion with recessed part CRICS535
- ES Kit exterior monomando para ducha/bañera, de pared, placa de ABS, con mezcla mecánica, inversor automático de 2 salidas, a completar con cuerpo empotrado CRICS535

CRIDE659

51 cromo 13 nero opaco

CRIDE659**CRICS535**

CRICR24272Q00



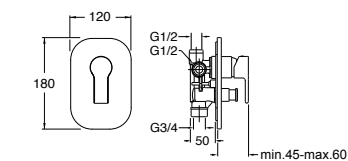
CRIPR15268Q__

CRIDE649

- IT Miscelatore monocomando doccia/vasca a parete, piastra in ABS, con miscelazione meccanica, deviatore automatico a 2 uscite, completo di parte incasso
- DE Wannen-/Brause-Wandeinhandmischer, Abdeckplatte aus ABS, mit mechanischer Mischung, automatischem 2-Wege-Umsteller, inkl. Unterputz-Einbaukörper
- FR Mitigeur monocommande mural douche/baignoire, plaque en ABS, réglage mécanique, inverseur automatique 2 sorties, avec corps d'encastrement
- EN Single-control wall-mounted shower/bathtub mixer, ABS plate, with mechanical mixing, 2-outlet automatic diverter, complete with recessed part
- ES Mezclador monomando para ducha/bañera, de pared, placa de ABS, con mezcla mecánica, inversor automático de 2 salidas, dotado de cuerpo empotrado

CRIDE649

51 cromo 13 nero opaco

CRIDE649

CRICR24272Q00



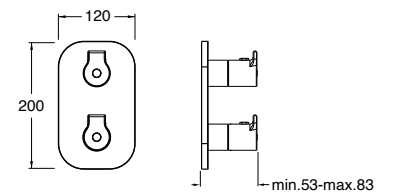
CRIPR4283Q__

CRIDE751

- IT Set esterno doccia a parete, piastra in metallo stondata, con miscelazione termostatica, valvola d'arresto 1 uscita, da completarsi con parte incasso CRICS800
- DE Fertigmontageset Duschsystem für Wandmontage, abgerundete Abdeckplatte aus Metall, mit thermostatischer Mischung und 1-Weg-Absperrventil, zu vervollständigen mit Unterputz-Einbaukörper CRICS800
- FR Groupe extérieur mural de douche, plaque angles arrondis en métal, réglage thermostatique, vanne d'arrêt 1 sortie, à compléter avec le corps d'encastrement CRICS800
- EN External wall-mounted shower set, curved metal plate, with thermostatic mixing, 1-outlet stop valve, for completion with recessed part CRICS800
- ES Kit exterior para ducha, de pared, placa de metal redondeada, con mezcla termostática, válvula de paso de 1 salida, a completar con cuerpo empotrado CRICS800

CRIDE751

51 cromo 13 nero opaco

CRIDE751**CRICS800**

CRICR16901Q00

CRIDE752

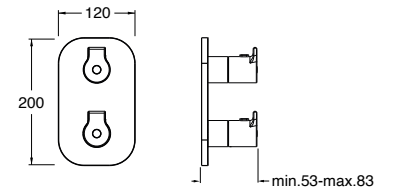
- IT con deviatore a 2 uscite
- DE mit 2 wenge umsteller
- FR avec inverseur 2 sorties
- EN with 2 outlet diverter
- ES con desviador 2 salidas



- IT Set esterno doccia/vasca a parete, piastra in metallo stondata, con miscelazione termostatica, deviatore, da completarsi con parte incasso CRICS800
- DE Wand-Fertigmontageset Wanne/Brause, abgerundete Abdeckplatte aus Metall, mit thermostatischer Mischung, zu vervollständigen mit Unterputz-Einbaukörper CRICS800
- FR Groupe extérieur mural douche/baignoire, plaque angles arrondis en métal, réglage thermostatique, à compléter avec le corps d'encastrement CRICS800
- EN External wall-mounted shower/bathtub set, curved metal plate, with thermostatic mixing, for completion with recessed part CRICS800
- ES Kit exterior para ducha/bañera, de pared, placa de metal redondeada, con mezcla termostática, a completar con cuerpo empotrado CRICS800

CRIDE752

51 cromo 13 nero opaco

CRIDE752/CRIDE753**CRICS800**

CRICR15442Q00



CRICR15441Q00

CRIDE753

- IT con deviatore a 3 uscite
- DE mit 3 wenge umsteller
- FR avec inverseur 3 sorties
- EN with 3 outlet diverter
- ES con desviador 3 salidas

**CRIDE752**

51 cromo 13 nero opaco

CRIDE753

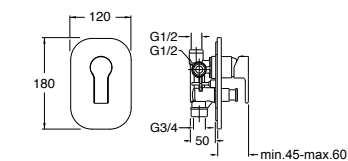
51 cromo 13 nero opaco

CRIDE649

- IT Miscelatore monocomando doccia/vasca a parete, piastra in ABS, con miscelazione meccanica, deviatore automatico a 2 uscite, completo di parte incasso
- DE Wannen-/Brause-Wandeinhandmischer, Abdeckplatte aus ABS, mit mechanischer Mischung, automatischem 2-Wege-Umsteller, inkl. Unterputz-Einbaukörper
- FR Mitigeur monocommande mural douche/baignoire, plaque en ABS, réglage mécanique, inverseur automatique 2 sorties, avec corps d'encastrement
- EN Single-control wall-mounted shower/bathtub mixer, ABS plate, with mechanical mixing, 2-outlet automatic diverter, complete with recessed part
- ES Mezclador monomando para ducha/bañera, de pared, placa de ABS, con mezcla mecánica, inversor automático de 2 salidas, dotado de cuerpo empotrado

CRIDE649

51 cromo 13 nero opaco

CRIDE649

CRICR24272Q00



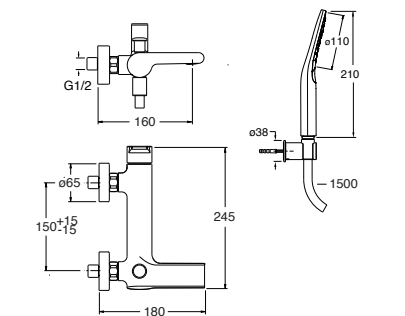
CRIPR4283Q__

CRIDE180

- IT Miscelatore monocomando vasca a parete, con miscelazione meccanica, deviatore automatico a 2 uscite, bocca con punto d'erogazione 160 mm, doccetta anticalcare a getto regolabile, supporto fisso, flessibile long life****
- DE Wannen-Wandeinhandmischer, mit mechanischer Mischung, automatischem 2-Wege-Umsteller, Auslaufflänge 160 mm, Handbrause mit Antikalk-System und einstellbarem Wasserstrahl, Halter für Wandmontage, Brauseschlauch Long Life****, inkl. Unterputz-Einbaukörper
- FR Mitigeur monocommande mural de baignoire, réglage mécanique, inverseur automatique 2 sorties, bec déverseur longueur 160 mm, douchette anticalcaire à jet réglable, support fixe, flexible long life****, avec corps d'encastrement
- EN Single-control wall-mounted bathtub mixer, with mechanical mixing, 2-outlet automatic diverter, spout length 160 mm, anti-scale hand shower with adjustable jet, fixed support and long-life hose****, complete with recessed part
- ES Mezclador monomando para bañera, de pared, con mezcla mecánica, inversor automático de 2 salidas, caño con boca de salida de 160 mm, ducha de mano antical de chorro regulable, soporte fijo, flexo Long Life****, dotado de cuerpo empotrado

CRIDE180

51 cromo 13 nero opaco

CRIDE180

9 1/2 min (3 bar)



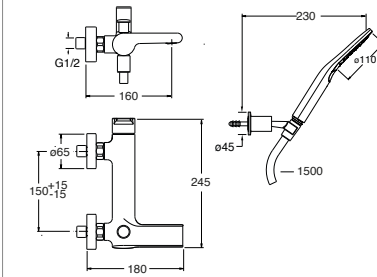
CRICR24272Q00

CRIDE181

- IT Miscelatore monocomando vasca a parete, con miscelazione meccanica, deviatore automatico a 2 uscite, bocca con punto d'erogazione 160 mm, doccetta anticalcare a getto regolabile, supporto orientabile, flessibile long life****
- DE Wannen-Einhandmischer für Wandmontage, mit mechanischer Mischung, automatischem 2-Wege-Umsteller, Auslauflänge 160 mm, Handbrause mit Antikalk-System und einstellbarem Wasserstrahl, Halter für Wandmontage, Brauseschlauch Long Life****, inkl. Unterputz-Einbaukörper
- FR Mitigeur monocommande mural de baignoire, réglage mécanique, inverseur automatique 2 sorties, bec déverseur longueur 160 mm, douchette anticalcaire à jet réglable, support orientable, flexible long life****, avec corps d'encastrement
- EN Single-control wall-mounted bathtub mixer, with mechanical mixing, 2-outlet automatic diverter, spout length 160 mm, anti-scale hand shower with adjustable jet, swivel support and long-life hose****, complete with recessed part
- ES Mezclador monomando para bañera, de pared, con mezcla mecánica, inversor automático de 2 salidas, caño con boca de salida de 160 mm, ducha de mano antical de chorro regulable, soporte orientable, flexo Long Life****, dotado de cuerpo empotrado

CRIDE181

51 cromo 13 nero opaco

CRIDE181

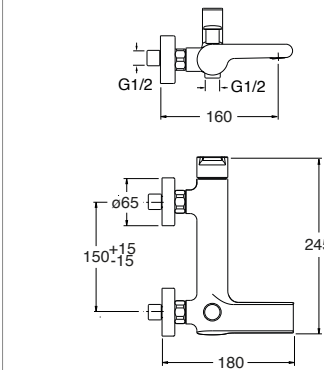
 CRICR24272Q00

CRIDE187

- IT Miscelatore monocomando vasca esterno a parete, con miscelazione meccanica, deviatore automatico a 2 uscite, bocca con punto d'erogazione 160 mm
- DE Aufputz Wannen-Einhandmischer für Wandmontage, mit mechanischer Mischung, automatischem 2-Wege-Umsteller, Auslauflänge 160 mm
- FR Mitigeur monocommande mural de baignoire extérieure, réglage mécanique, inverseur automatique 2 sorties, bec déverseur longueur 160 mm
- EN Single-control wall-mounted external bathtub mixer, with mechanical mixing, 2-outlet automatic diverter, spout length 160 mm
- ES Mezclador monomando para bañera, exterior de pared, con mezcla mecánica, inversor automático de 2 salidas, caño con boca de salida de 160 mm

CRIDE187

51 cromo 13 nero opaco

CRIDE187

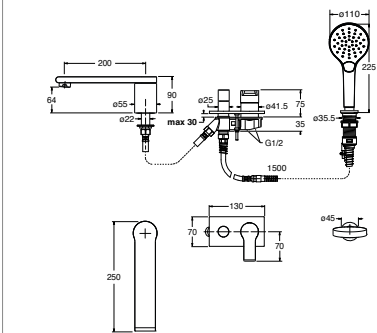
 CRICR24272Q00

CRIDE121

- IT Miscelatore monocomando bordo vasca 4 fori da piano ispezionabile, piastra in metallo, con miscelazione meccanica, deviatore a 2 uscite, bocca con punto d'erogazione 200 mm, doccetta anticalcare estraibile a getto regolabile e FOLLOW ME****, completo di parte incasso
- DE Zur Reinigung demontierbarer 4-Loch Wannenrand-Einhandmischer, Abdeckplatte aus Metall, mit mechanischer Mischung, 2-Wege-Umsteller, Auslauflänge 200 mm, ausziehbare Handbrause mit Antikalk-System, einstellbarem Wasserstrahl, FOLLOW ME****, inkl. Unterputz-Einbaukörper
- FR Mitigeur monocommande bord baignoire 4 trous sur plaque accessible pour l'inspection, plaque en métal, réglage mécanique, inverseur 2 sorties, bec déverseur longueur 200 mm, douchette anticalcaire extractible à jet réglable et FOLLOW ME****, avec corps d'encastrement
- EN Inspectable single-control deck-mounted 4-hole bath edge mixer, metal plate, with mechanical mixing, 2-outlet diverter, spout length 200 mm, extractable anti-scale hand shower with adjustable jet and FOLLOW ME****, complete with recessed part
- ES Mezclador monomando para borde bañera, 4 orificios, de repisa, inspeccionable, placa de metal, con mezcla mecánica, inversor de 2 salidas, caño con boca de salida de 200 mm, ducha de mano antical extraíble de chorro regulable y FOLLOW ME****, dotado de cuerpo empotrado

CRIDE121

51 cromo 13 nero opaco

CRIDE121

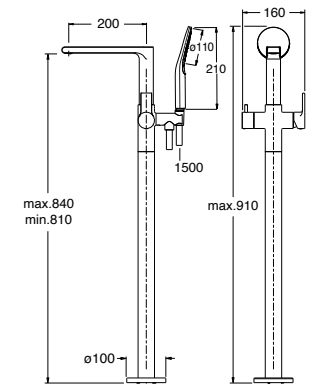
 CRICR24272Q00

CRIDE189

- IT Set esterno monocomando vasca a pavimento, con miscelazione meccanica, deviatore a 2 uscite, doccetta anticalcare a getto regolabile, flessibile long life****, da completarsi con parte incasso CRICS290
- DE Fertigmontageset Wannen-Einhandmischer bodenstehend, mit mechanischer Mischung, 2-Wege-Umsteller, Handbrause mit Antikalk-System mit einstellbarem Wasserstrahl, Brauseschlauch Long Life****, zu vervollständigen mit Unterputz-Einbaukörper CRICS290
- FR Groupe extérieur monocommande de baignoire sur pied, réglage mécanique, inverseur 2 sorties, douchette anticalcaire à jet réglable, flexible long life****, à compléter avec le corps d'encastrement CRICS290
- EN External single-control floor-standing bathtub set, with mechanical mixing, 2-outlet diverter, anti-scale hand shower with adjustable jet, long-life hose****, for completion with recessed part CRICS290
- ES Kit exterior monomando para bañera de suelo, con mezcla mecánica, inversor de 2 salidas con ducha de mano antical de chorro regulable, flexo Long Life****, a completar con cuerpo empotrado CRICS290

CRIDE189

51 cromo 13 nero opaco

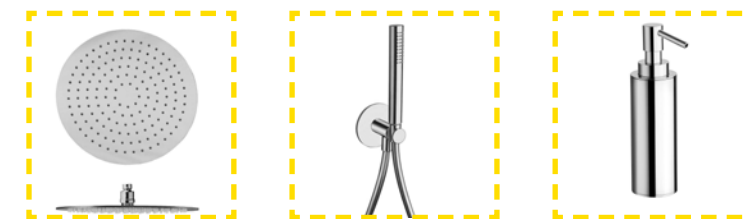
CRIDE189

 9 l/min (3 bar)

 **CRICS290**

 CRICR24272Q00

 CRICR11839Q00



Per completare la formulazione della vostra offerta, vi invitiamo a consultare i capitoli:

- [Completamenti per Doccia/Vasca/Lavabo](#)
- [Soffioni & Bracci Doccia](#)
- [Accessori Contemporary Collection](#)

To complete the drafting of your offer, please see the following chapters:

- [Completions for Shower/Bath/Washbasin](#)
- [Showerheads & Shower Arms](#)
- [Accessories Contemporary Collection](#)



Technical info

Omega
CRISTINA Design Lab

CRIOG220

REGULAR



- IT Miscelatore monocomando Lavabo Regular monoforo da piano, con miscelazione meccanica
- DE 1-Loch Waschtisch-Einhandmischer Regular, mit mechanischer Mischung
- FR Mitigeur monocommande de Lavabo Regular monotrou sur plage, réglage mécanique
- EN Regular single-control deck-mounted single-hole washbasin mixer, with mechanical mixing
- ES Mezclador monomando para lavabo Regular, 1 orificio, de repisa, con mezcla mecánica

CRIOG220
51 cromo 13 nero opaco

CRIOG920
51 cromo



CRIOG920

REGULAR



CRIOG221

REGULAR

- IT Miscelatore monocomando Lavabo Regular monoforo da piano, con miscelazione meccanica, scarico da 1" 1/4 con asta e saltarello
- DE 1-Loch Waschtisch-Einhandmischer Regular, mit mechanischer Mischung, Ablaufgarnitur 1"1/4, Zugstange und Stöpsel
- FR Mitigeur monocommande de Lavabo Regular monotrou sur plage, réglage mécanique, vidage de 1"1/4 avec tirette et bouchon
- EN Regular single-control deck-mounted single-hole washbasin mixer, with mechanical mixing, 1 1/4" with pop-up waste
- ES Mezclador monomando para lavabo Regular, 1 orificio, de repisa, con mezcla mecánica, desagüe de 1" 1/4 con varilla y válvula automática

CRIOG221
51 cromo 13 nero opaco

CRIOG927
51 cromo



CRIOG227

MEDIUM



- IT Miscelatore monocomando Lavabo Medium monoforo da piano, con miscelazione meccanica
- DE 1-Loch Waschtisch-Einhandmischer Medium, mit mechanischer Mischung
- FR Mitigeur monocommande de Lavabo Medium monotrou sur plage, réglage mécanique
- EN Medium single-control deck-mounted single-hole washbasin mixer, with mechanical mixing
- ES Mezclador monomando para lavabo Medium, 1 orificio, de repisa, con mezcla mecánica

CRIOG227
51 cromo 13 nero opaco

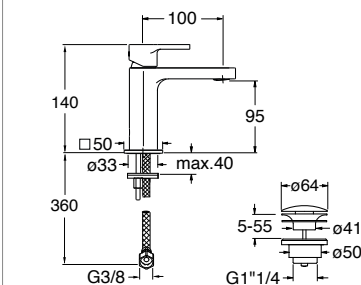
CRIOG927
51 cromo



CRIOG927

MEDIUM

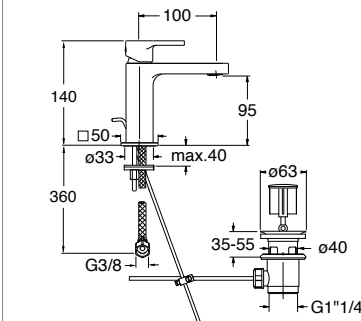
CRIOG220



5,6 1/2 min (3 bar)



CRIOG221



5,6 1/2 min (3 bar)



CRIOG223

MEDIUM



- IT Miscelatore monocomando Lavabo Medium monoforo da piano, con miscelazione meccanica, scarico da 1" 1/4 con asta e saltarello
- DE 1-Loch Waschtisch-Einhandmischer Medium, mit mechanischer Mischung, Ablaufgarnitur 1"1/4, Zugstange und Stöpsel
- FR Mitigeur monocommande de Lavabo Medium monotrou sur plage, réglage mécanique, vidage de 1"1/4 avec tirette et bouchon
- EN Medium single-control deck-mounted single-hole washbasin mixer, with mechanical mixing, 1 1/4" pop-up waste
- ES Mezclador monomando para lavabo Medium, 1 orificio, de repisa, con mezcla mecánica, desagüe de 1" 1/4 con varilla y válvula automática

CRIOG223
51 cromo 13 nero opaco

CRIOG229

TALL



- IT Miscelatore monocomando Lavabo Tall monoforo da piano, con miscelazione meccanica
- DE 1-Loch Waschtisch-Einhandmischer Tall, mit mechanischer Mischung
- FR Mitigeur monocommande de Lavabo Tall monotrou sur plage, réglage mécanique
- EN Tall single-control deck-mounted single-hole washbasin mixer, with mechanical mixing
- ES Mezclador monomando para lavabo Tall, 1 orificio, de repisa, con mezcla mecánica

CRIOG229
51 cromo 13 nero opaco

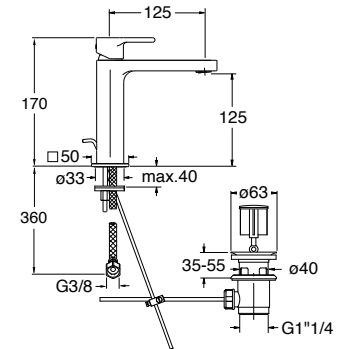
CRIOG929
51 cromo



CRIOG929

TALL

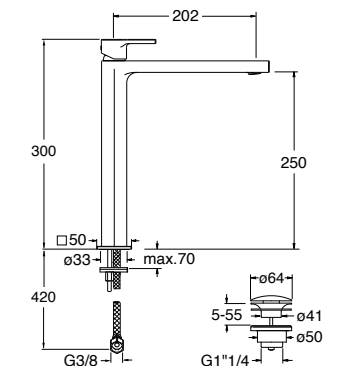
CRIOG223



5,6 1/2 min (3 bar)



CRIOG229



5,6 1/2 min (3 bar)



CRIOG228

REGULAR



- IT Miscelatore monocomando Lavabo Regular monoforo da piano, con miscelazione meccanica laterale, bocca orientabile
- DE 1-Loch Waschtisch-Einhandmischer Regular, mit seitlicher mechanischer Mischung, verstellbarem Auslauf
- FR Mitigeur monocommande de Lavabo Regular monotrou sur plage, réglage mécanique latéral, bec orientable
- EN Regular single-control deck-mounted single-hole washbasin mixer, with side mechanical mixing, swivel spout
- ES Mezclador monomando para lavabo Regular, 1 orificio, de repisa, con mezcla mecánica lateral, caño orientable

CRIOG228
51 cromo 13 nero opaco

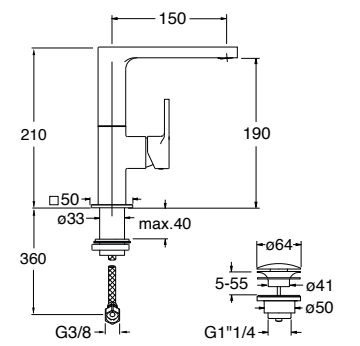
CRIOG928
51 cromo



CRIOG928

REGULAR

CRIOG228



5,6 1/2 min (3 bar)



CRIOG237

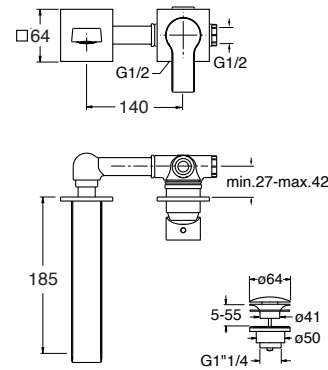
REGULAR



- IT Miscelatore monocomando Lavabo Regular 2 fori a parete, con miscelazione meccanica, completo di parte incasso
- DE 2-Loch Waschtisch-Einhandmischer Regular für Wandmontage, mit mechanischer Mischung, inkl. Unterputz-Einbaukörper
- FR Mitigeur monocommande mural de Lavabo Regular 2 trous, réglage mécanique, avec corps d'encastrement
- EN Regular single-control wall-mounted 2-hole washbasin mixer, with mechanical mixing, complete with recessed part
- ES Mezclador monomando para lavabo Regular, 2 orificios, de pared, con mezcla mecánica, dotado de cuerpo empotrado

CRIOG237
51 cromo 13 nero opaco

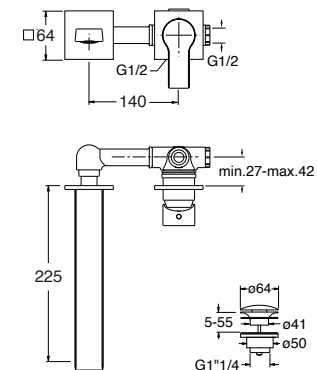
CRIOG237



5,6 1/2 min (3 bar)



CRIOG238



5,6 1/2 min (3 bar)



CRIOG937
51 cromo



CRIOG937

REGULAR

CRIOG937
51 cromo

CRIOG238

LARGE



- IT Miscelatore monocomando Lavabo Large 2 fori a parete, con miscelazione meccanica, completo di parte incasso
- DE 2-Loch Waschtisch-Einhandmischer Large, mit mechanischer Mischung, inkl. Unterputz-Einbaukörper
- FR Mitigeur monocommande mural de Lavabo Large 2 trous, réglage mécanique, avec corps d'encastrement
- EN Large single-control wall-mounted 2-hole washbasin mixer, with mechanical mixing, complete with recessed part
- ES Mezclador monomando para lavabo Large, 2 orificios, de pared, con mezcla mecánica, dotado de cuerpo empotrado

CRIOG238
51 cromo 13 nero opaco

CRIOG938

LARGE



CRIOG938
51 cromo

CRIOG320



CRIOG370



CRIOG321



CRIOG481



- IT Miscelatore monocomando Bidet monoforo da piano, con miscelazione meccanica
- DE 1-Loch Einhandmischer für das Bidet, mit mechanischer Mischung
- FR Mitigeur monocommande de bidet monotrou sur plage, réglage mécanique
- EN Single-control deck-mounted single-hole bidet mixer, with mechanical mixing
- ES Mezclador monomando para bidé, 1 orificio, de repisa, con mezcla mecánica

CRIOG320
51 cromo 13 nero opaco

CRIOG370
51 cromo

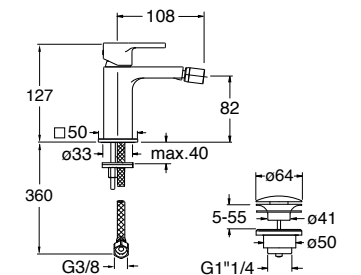
- IT Miscelatore monocomando Bidet monoforo da piano, con miscelazione meccanica, scarico da 1" 1/4 con asta e saltarello
- DE 1-Loch Einhandmischer für das Bidet, mit mechanischer Mischung, Ablaufgarnitur 1"1/4 mit Zugstange und Stöpsel
- FR Mitigeur monocommande de bidet monotrou sur plage, réglage mécanique, vidage 1"1/4 avec tirette et bouchon
- EN Single-control deck-mounted single-hole bidet mixer, with mechanical mixing, 1 1/4" pop-up waste
- ES Mezclador monomando para bidé, 1 orificio, de repisa, con mezcla mecánica y desagüe de 1" 1/4 con varilla y válvula automática

CRIOG321
51 cromo 13 nero opaco

- IT Miscelatore monocomando doccia esterno a parete, con miscelazione meccanica
- DE Aufputz-Einhandmischer für Duschsystem für Wandmontage mit mechanischer Mischung
- FR Mitigeur monocommande mural de douche extérieure, réglage mécanique
- EN Single-control wall-mounted external shower mixer, with mechanical mixing
- ES Mezclador monomando para ducha, exterior de pared, con mezcla mecánica

CRIOG481
51 cromo 13 nero opaco

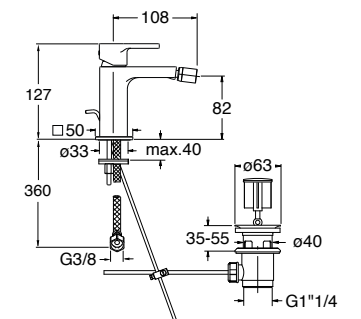
CRIOG320



5,6 1/2 min (3 bar)



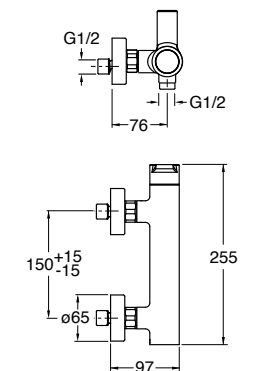
CRIOG321



5,6 1/2 min (3 bar)



CRIOG481

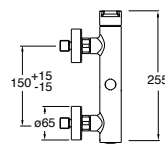
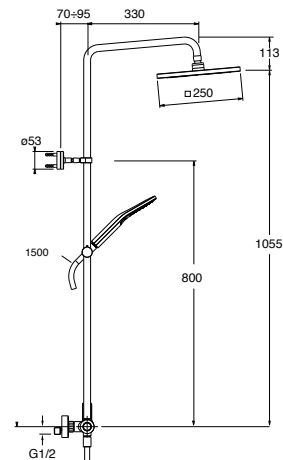


CRIOG409



- IT Colonna doccia monocomando a parete, con miscelazione meccanica, deviatore automatico a 2 uscite, soffione anticalcare 250 mm x 250 mm in ABS, braccio orientabile, doccetta anticalcare a getto regolabile, supporto scorrevole, flessibile long life****
- DE Duschsystem mit Einhandmischer für Wandmontage, mit mechanischer Mischung, 2-Wege-Umsteller, Kopfbrause mit Antikalk-System aus ABS 250 mm x 250 mm, schwenkbarem Brausearm, Handbrause mit Antikalk-System mit einstellbarem Wasserstrahl, Gleitschieber, Brauseschlauch Long Life****
- FR Colonne de douche murale monocommande, réglage mécanique, inverseur automatique 2 sorties, douche de tête anticalcaire en ABS 250 mm x 250 mm, bras orientable, douchette anticalcaire à jet réglable, support coulissant, flexible long life****
- EN Single-control wall-mounted shower column, with mechanical mixing, 2-outlet automatic diverter, 250 mm x 250 mm ABS anti-scale showerhead, swivel arm, anti-scale hand shower, adjustable jet, sliding support, long-life hose****
- ES Columna de ducha monomando de pared, con mezcla mecánica, inversor automático de 2 salidas, rociador antical de ABS 250 mm x 250 mm, brazo orientable, ducha de mano antical de chorro regulable, soporte deslizante, flexo Long Life****

CRIOG409



- 9/16" min (3 bar)
- CRICR24272Q00
- CRIPR14794Q

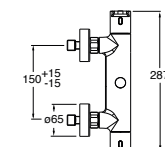
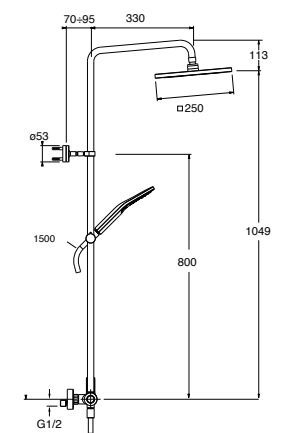
CRIOG409
51 cromo 13 nero opaco

CRIOG486



- IT Colonna doccia monocomando "corpo freddo" a parete, con miscelazione termostatica, deviatore a 2 uscite, soffione anticalcare 250 mm x 250 mm in ABS, braccio orientabile, doccetta anticalcare, supporto scorrevole, flessibile long life****
- DE Duschsystem mit Einhandmischer für Wandmontage „Armaturenkörper mit Verbrühungsschutz“, mit thermostatischer Mischung, 2-Wege-Umsteller, Kopfbrause mit Antikalk-System aus ABS 250 mm x 250 mm, schwenkbarem Brausearm, Handbrause mit Antikalk-System, Gleitschieber, Brauseschlauch Long Life****
- FR Colonne de douche murale monocommande « corps froid », réglage thermostatique, inverseur 2 sorties, douche de tête anticalcaire en ABS 250 mm x 250 mm, bras orientable, douchette anticalcaire, support coulissant, flexible long life****
- EN Single-control wall-mounted "exposed" shower column, with thermostatic mixing, 2-outlet diverter, 250 mm x 250 mm ABS anti-scale showerhead, swivel arm, anti-scale hand shower, sliding support, long-life hose****
- ES Columna de ducha monomando, sistema tacto frío, de pared, con mezcla termostática, inversor de 2 salidas, rociador antical de ABS 250 mm x 250 mm, brazo orientable, ducha de mano antical, soporte deslizante, flexo Long Life****

CRIOG486



- 9/16" min (3 bar)
- CRICR11715Q00
- CRICR11713Q00

CRIOG486
51 cromo 13 nero opaco

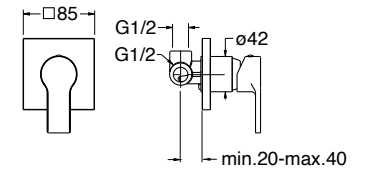
CRIOG118



- IT Miscelatore monocomando doccia a parete, piastra in metallo, con miscelazione meccanica, completo di parte incasso
- DE Duschsystem-Wandeinhandmischer, Abdeckplatte aus Metall, mit mechanischer Mischung, inkl. Unterputz-Einbaukörper
- FR Mitigeur monocommande mural de douche, plaque en métal, réglage mécanique, avec corps d'encastrement
- EN Single-control wall-mounted shower mixer, metal plate, with mechanical mixing, complete with recessed part
- ES Mezclador monomando para ducha, de pared, placa de metal, con mezcla mecánica, dotado de cuerpo empotrado

CRIOG118
51 cromo 13 nero opaco

CRIOG118



CRICR24272Q00

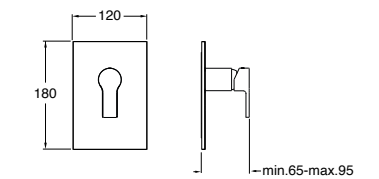
CRIOG686



- IT Set esterno monocomando doccia a parete, piastra in metallo, con miscelazione meccanica, da completarsi con parte incasso CRICS535
- DE Fertigmontageset Einhandmischer für Duschsystem für Wandmontage, Abdeckplatte aus Metall, mit mechanischer Mischung, mit Unterputz-Einbaukörper CRICS535 zu vervollständigen
- FR Groupe extérieur monocommande mural de douche, plaque en métal, réglage mécanique, à compléter avec le corps d'encastrement CRICS535
- EN External single-control wall-mounted shower set, metal plate, with mechanical mixing, for completion with recessed part CRICS535
- ES Kit exterior monomando para ducha, de pared, placa de metal, con mezcla mecánica, a completar con cuerpo empotrado CRICS535

CRIOG686
51 cromo 13 nero opaco

CRIOG686



CRICS535
 CRICR24272Q00

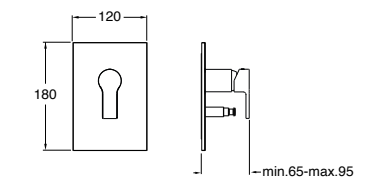
CRIOG689



- IT Set esterno monocomando doccia/vasca a parete, piastra in metallo, con miscelazione meccanica, deviatore automatico a 2 uscite, da completarsi con parte incasso CRICS535
- DE Fertigmontageset Wannen-/Brause-Wandeinhandmischer, Abdeckplatte aus Metall, mit mechanischer Mischung, automatischem 2-Wege-Umsteller, zu vervollständigen mit Unterputz-Einbaukörper CRICS535
- FR Groupe extérieur monocommande mural douche/baignoire, plaque en métal, réglage mécanique, inverseur automatique 2 sorties, à compléter avec le corps d'encastrement CRICS535
- EN External single-control wall-mounted shower/bathtub set, metal plate, with mechanical mixing, 2-outlet automatic diverter, for completion with recessed part CRICS535
- ES Kit exterior monomando para ducha/bañera, de pared, placa de metal, con mezcla mecánica, inversor automático de 2 salidas, a completar con cuerpo empotrado CRICS535

CRIOG689
51 cromo 13 nero opaco

CRIOG689



CRICS535
 CRICR24272Q00
 CRIPR15268Q

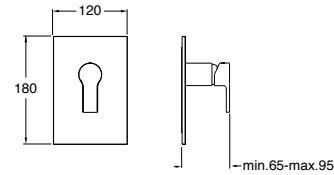
CRIOG656



- IT Set esterno monocomando doccia a parete, piastra in ABS, con miscelazione meccanica, da completarsi con parte incasso CRICS535
- DE Fertigmontageset Einhandmischer für Duschsystem für Wandmontage, Abdeckplatte aus ABS, mit mechanischer Mischung, zu vervollständigen mit Unterputz-Einbaukörper CRICS535
- FR Groupe extérieur monocommande mural de douche, plaque en ABS, réglage mécanique, à compléter avec le corps d'encastrement CRICS535
- EN External single-control wall-mounted shower set, ABS plate, with mechanical mixing, for completion with recessed part CRICS535
- ES Kit exterior monomando para ducha, de pared, placa de ABS, con mezcla mecánica, a completar con cuerpo empotrado CRICS535

CRIOG656
51 cromo 13 nero opaco

CRIOG656



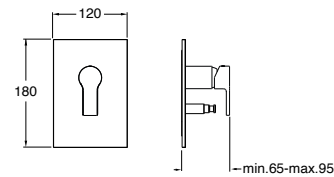
CRIOG659



- IT Set esterno monocomando doccia/vasca a parete, piastra in ABS, con miscelazione meccanica, deviatore automatico a 2 uscite, da completarsi con parte incasso CRICS535
- DE Fertigmontageset Wannen-/Brause-Wandeinhandmischer, Abdeckplatte aus ABS, mit mechanischer Mischung, automatischem 2-Wege-Umsteller, zu vervollständigen mit Unterputz-Einbaukörper CRICS535
- FR Groupe extérieur monocommande mural douche/baignoire, plaque en ABS, réglage mécanique, inverseur automatique 2 sorties, à compléter avec le corps d'encastrement CRICS535
- EN External single-control wall-mounted shower/bathtub set, ABS plate, with mechanical mixing, 2-outlet automatic diverter, for completion with recessed part CRICS535
- ES Kit exterior monomando para ducha/bañera, de pared, placa de ABS, con mezcla mecánica, inversor automático de 2 salidas, a completar con cuerpo empotrado CRICS535

CRIOG659
51 cromo 13 nero opaco

CRIOG659



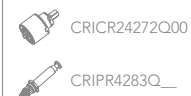
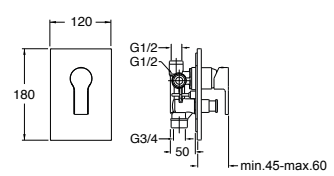
CRIOG649



- IT Miscelatore monocomando doccia/vasca a parete, piastra in ABS, con miscelazione meccanica, deviatore a 2 uscite, completo di parte incasso
- DE Wannen-/Brause-Wandeinhandmischer, Abdeckplatte aus ABS, mit mechanischer Mischung, 2-Wege-Umsteller, inkl. Unterputz-Einbaukörper
- FR Mitigeur monocommande mural douche/baignoire, plaque en ABS, réglage mécanique, inverseur 2 sorties, avec corps d'encastrement
- EN Single-control wall-mounted shower/bathtub mixer, ABS plate, with mechanical mixing, 2-outlet diverter, complete with recessed part
- ES Mezclador monomando para ducha/bañera, de pared, placa de ABS, con mezcla mecánica, inversor de 2 salidas, dotado de cuerpo empotrado

CRIOG649
51 cromo 13 nero opaco

CRIOG649



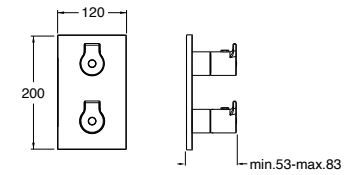
CRIOG751



- IT Set esterno doccia a parete, piastra in metallo squadrata, con miscelazione termostatica, valvola d'arresto 1 uscita, da completarsi con parte incasso CRICS800
- DE Fertigmontageset Brause-Zweigriffbatterie für Wandmontage, quadratische Abdeckplatte aus Metall, mit thermostatischer Mischung und 1-Weg-Absperrventil, zu vervollständigen mit Unterputz-Einbaukörper CRICS800
- FR Groupe extérieur mural de douche, plaque carrée en métal, réglage thermostatique, vanne d'arrêt 1 sortie, à compléter avec le corps d'encastrement CRICS800
- EN External wall-mounted shower set, square metal plate, with thermostatic mixing, 1-outlet stop valve, for completion with recessed part CRICS800
- ES Kit exterior para ducha, de pared, placa de metal escuadrada, con mezcla termostática, válvula de paso de 1 salida, a completar con cuerpo empotrado CRICS800

CRIOG751
51 cromo 13 nero opaco

CRIOG751



CRIOG752

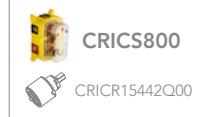
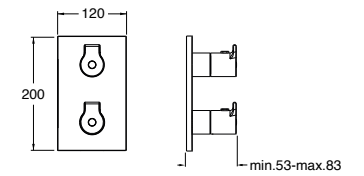
- IT con deviatore a 2 uscite
- DE mit 2 wege umsteller
- FR avec inverseur 2 sorties
- EN with 2 outlet diverter
- ES con desviador 2 salidas



- IT Set esterno doccia/vasca a parete, piastra in metallo squadrata, con miscelazione termostatica, deviatore, da completarsi con parte incasso CRICS800
- DE Wand-Fertigmontageset Wanne/Brause, quadratische Abdeckplatte aus Metall, mit thermostatischer Mischung, zu vervollständigen mit Unterputz-Einbaukörper CRICS800
- FR Groupe extérieur mural douche/baignoire, plaque carrée en métal, réglage thermostatique, à compléter avec le corps d'encastrement CRICS800
- EN External wall-mounted shower/bathtub set, square metal plate, with thermostatic mixing, for completion with recessed part CRICS800
- ES Kit exterior para ducha/bañera, de pared, placa de metal escuadrada, con mezcla termostática, a completar con cuerpo empotrado CRICS800

CRIOG752
51 cromo 13 nero opaco

CRIOG752/CRIOG753



CRIOG753

- IT con deviatore a 3 uscite
- DE mit 3 wege umsteller
- FR avec inverseur 3 sorties
- EN with 3 outlet diverter
- ES con desviador 3 salidas

CRIOG753
51 cromo 13 nero opaco



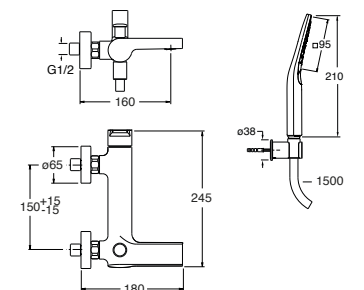
CRIOG180



- IT Miscelatore monocomando vasca a parete, con miscelazione meccanica, bocca con punto d'erogazione 160 mm, doccetta anticalcare a getto regolabile, supporto fisso, flessibile long life****
- DE Wannen-Einhandmischer für Wandmontage, mit mechanischer Mischung, Auslauflänge 160 mm, Handbrause mit Antikalk-System und einstellbarem Wasserstrahl, Halter für Wandmontage, Brauseschlauch Long Life****, inkl. Unterputz-Einbaukörper
- FR Mitigeur monocommande mural de baignoire, réglage mécanique, bec déverseur longueur 160 mm, douchette anticalcaire à jet réglable, support fixe, flexible long life****, avec corps d'encastrement
- EN Single-control wall-mounted bathtub mixer, with mechanical mixing, spout length 160 mm, anti-scale hand shower with adjustable jet, fixed support, long-life hose****, complete with recessed part
- ES Mezclador monomando para bañera, de pared, con mezcla mecánica, caño con boca de salida de 160 mm, ducha de mano antical de chorro regulable, soporte fijo, flexo Long Life****, dotado de cuerpo empotrado

CRIOG180
51 cromo 13 nero opaco

CRIOG180



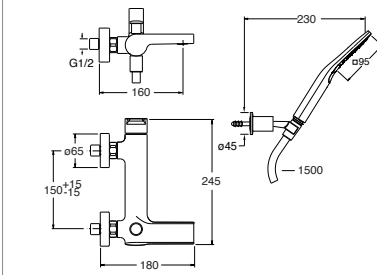
CRIOG181



- IT Miscelatore monocomando vasca a parete, con miscelazione meccanica, bocca con punto d'erogazione 160 mm, doccetta anticalcare a getto regolabile, supporto orientabile, flessibile long life****
- DE Wannen-Einhandmischer für Wandmontage, mit mechanischer Mischung, Auslauflänge 160 mm, Handbrause mit Antikalk-System und einstellbarem Wasserstrahl, mit verstellbarem Halter, Brauseschlauch Long Life****, inkl. Unterputz-Einbaukörper
- FR Mitigeur monocommande mural de baignoire, réglage mécanique, bec déverseur longueur 160 mm, douchette anticalcaire à jet réglable, support orientable, flexible long life****, avec corps d'encastrement
- EN Single-control wall-mounted bathtub mixer, with mechanical mixing, spout length 160 mm, anti-scale hand shower with adjustable jet, swivel support, long-life hose****, complete with recessed part
- ES Mezclador monomando para bañera, de pared, con mezcla mecánica, caño con boca de salida de 160 mm, ducha de mano antical de chorro regulable, soporte orientable, flexo Long Life****, dotado de cuerpo empotrado

CRIOG181
51 cromo 13 nero opaco

CRIOG181



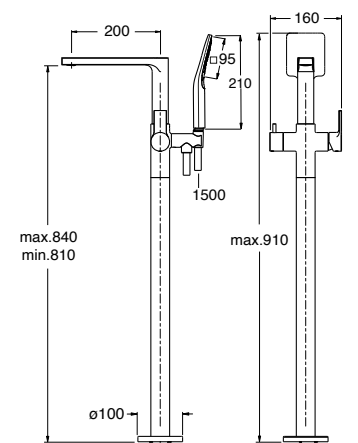
CRIOG189



- IT Set esterno monocomando vasca a pavimento, con miscelazione meccanica, deviatore a 2 uscite, doccetta anticalcare a getto regolabile, flessibile long life****, da completarsi con parte incasso CRICS290
- DE Fertigmontageset Wannen-Einhandmischer bodenstehend, mit mechanischer Mischung, 2-Wege-Umsteller, Handbrause mit Antikalk-System mit einstellbarem Wasserstrahl, Brauseschlauch Long Life****, zu vervollständigen mit Unterputz-Einbaukörper CRICS290
- FR Groupe extérieur monocommande de baignoire sur pied, réglage mécanique, inverseur 2 sorties, douchette anticalcaire à jet réglable, flexible long life****, à compléter avec le corps d'encastrement CRICS290
- EN External single-control floor-standing bathtub set, with mechanical mixing, 2-outlet diverter, anti-scale hand shower with adjustable jet, long-life hose****, for completion with recessed part CRICS290
- ES Kit exterior monomando para bañera de suelo, con mezcla mecánica, inversor de 2 salidas con ducha de mano antical de chorro regulable, flexo Long Life****, a completar con cuerpo empotrado CRICS290

CRIOG189
51 cromo 13 nero opaco

CRIOG189



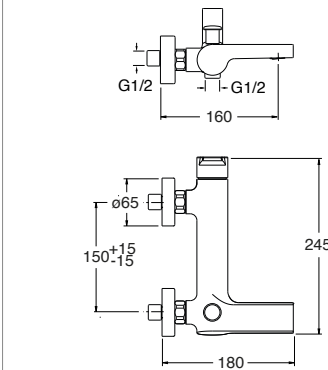
CRIOG187



- IT Miscelatore monocomando vasca esterno a parete, con miscelazione meccanica, deviatore automatico a 2 uscite, bocca con punto d'erogazione 160 mm
- DE Aufputz Wannen-Einhandmischer für Wandmontage, mit mechanischer Mischung, automatischem 2-Wege-Umsteller, Auslauflänge 160 mm
- FR Mitigeur monocommande mural de baignoire extérieure, réglage mécanique, inverseur automatique 2 sorties, bec déverseur longueur 160 mm
- EN Single-control wall-mounted external bathtub mixer, with mechanical mixing, 2-outlet automatic diverter, spout length 160 mm
- ES Mezclador monomando para bañera, exterior de pared, con mezcla mecánica, inversor automático de 2 salidas, caño con boca de salida de 160 mm

CRIOG187
51 cromo 13 nero opaco

CRIOG187



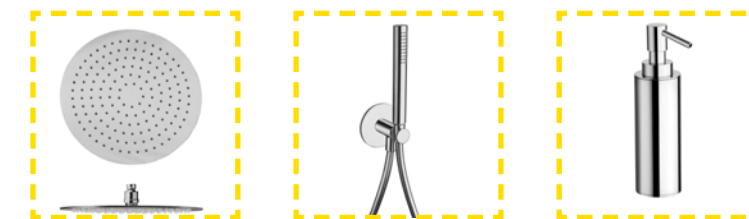
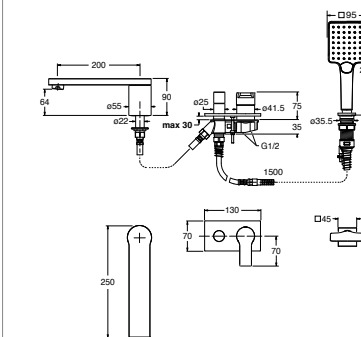
CRIOG121



- IT Miscelatore monocomando bordo vasca 4 fori da piano ispezionabile, piastra in metallo, con miscelazione meccanica, deviatore a 2 uscite, bocca con punto d'erogazione 200 mm, doccetta anticalcare a getto regolabile e FOLLOW ME *****, completo di parte incasso
- DE Zur Reinigung demontierbarer 4-Loch Wannenrand-Einhandmischer, Abdeckplatte aus Metall, mit mechanischer Mischung, 2-Wege-Umsteller, Auslauflänge 200 mm, Handbrause mit Antikalk-System, einstellbarem Wasserstrahl, FOLLOW ME*****, inkl. Unterputz-Einbaukörper
- FR Mitigeur monocommande bord baignoire 4 trous sur plage accessible pour l'inspection, plaque en métal, réglage mécanique, inverseur 2 sorties, bec déverseur longueur 200 mm, douchette anticalcaire à jet réglable et FOLLOW ME *****, avec corps d'encastrement
- EN Inspectable single-control deck-mounted 4-hole bath edge mixer, metal plate, with mechanical mixing, 2-outlet diverter, spout length 200 mm, anti-scale hand shower with adjustable jet and FOLLOW ME*****, complete with recessed part
- ES Mezclador monomando para borde bañera, 4 orificios, de repisa, inspeccionable, placa de metal, con mezcla mecánica, inversor de 2 salidas, caño con boca de salida de 200 mm, ducha de mano antical de chorro regulable y FOLLOW ME*****, dotado de cuerpo empotrado

CRIOG121
51 cromo 13 nero opaco

CRIOG121



Per completare la formulazione della vostra offerta, vi invitiamo a consultare i capitoli:
[- Completamenti per Doccia/Vasca/Lavabo](#)
[- Soffioni & Bracci Doccia](#)
[- Accessori Contemporary Collection](#)

To complete the drafting of your offer, please see the following chapters:
[- Completions for Shower/Bath/Washbasin](#)
[- Showerheads & Shower Arms](#)
[- Accessories Contemporary Collection](#)

Company



WHO WE ARE

Fondata nel 1949, CRISTINA ha attraversato più di settant'anni di storia italiana capitalizzando i valori di capacità produttiva, tradizione e credibilità, intercettando i trend di innovazione e di internazionalizzazione, posizionandosi tra i brand leader nel settore della rubinetteria. La sinergia con SILFRA Bathroom Tech (1987) - una delle più affermate realtà nel comparto tecnico idrosanitario - e l'entrata nel gruppo Caleffi (2017) hanno accompagnato e sostenuto il costante processo di crescita, evoluzione e sviluppo di CRISTINA verso una realtà sempre più sostenibile. Sempre nel 2017 viene inaugurato lo showroom proprietario a Milano,

con l'obiettivo di implementare il dialogo con progettisti e architetti e per proporre eventi e rafforzare l'immagine aziendale. Nel 2020, CRISTINA Rubinetterie rinnova la strategia per determinare il percorso dell'azienda nel prossimo futuro, orientato al design, al lancio di nuove linee e con una grande attenzione alla sostenibilità e ai metodi di produzione meno impattanti. L'anno seguente nasce "From Yellow to.. Green!" un claim che vuole trasmettere l'impegno di CRISTINA Rubinetterie a diventare una realtà sempre più green. Importanti cambiamenti in termini di logistica, sinergia e nuovi sistemi organizzativi: in meno di cinque anni CRISTINA è passata dallo storytelling a un concretissimo storydoing.

Founded in 1949, CRISTINA has gone through more than seventy years of Italian history, capitalising on values of production capacity, tradition, and credibility, intercepting trends of innovation and internationalisation, positioning itself as one of the leading brands in the tap industry. The synergy with SILFRA Bathroom Tech (1987) - one of the most established companies in the hydrosanitary technical sector and the entry into the Caleffi group in 2017 accompanied and supported CRISTINA's constant process of growth, evolution, and development towards an increasingly sustainable reality. Also in 2017, the opening of the company-owned showroom in Milan, with the goal of enhancing dialogue with designers and architects through work meetings and design projects, as well as proposing events and strengthening the company's image. In 2020, CRISTINA Rubinetterie renewed its strategy to determine the company's path in the near future, focused on design, launching new product lines, and with great attention to sustainability and less impactful production methods. The following year, "From Yellow to.. Green!" was born as a slogan that aims to convey CRISTINA Rubinetterie's commitment to becoming an increasingly green company. Important changes in logistics, synergy, and new organisational systems: in less than five years, CRISTINA has gone from storytelling to concrete storydoing.

SAVOIR FAIRE

La ricerca di innovazione è alla base di ogni progetto, realizzato con macchinari all'avanguardia e supportato da artigiani specializzati che intervengono nelle fasi più delicate del processo produttivo con soluzioni ideate per assicurare il massimo valore estetico. Tutto questo si traduce anche in quella cura del dettaglio che contribuisce all'unicità del Made in Italy e ne racchiude tutta la cultura. Gestire la produzione internamente risulta strategico perché assicura il puntuale controllo, l'eticità, la sostenibilità e la continuità produttiva in caso di emergenze e produce soprattutto un importante flusso di conoscenza, di apprendimento e di gratificazione di tutti gli stakeholder coinvolti, con conseguente ottimizzazione delle lavorazioni. In quest'ottica di ottimizzazione e di innovazione, ognuno dei quattro stabilimenti produttivi, situati nel novarese a pochi chilometri di distanza, è dedicato a una precisa lavorazione. Nei due stabilimenti a Gozzano sono localizzati gli impianti di logistica centralizzata con i magazzini intensivi per la preparazione dei semilavorati. Nella sede di Gargallo convergono i reparti di cromatura, finitura galvanica, mentre il polo logistico di Fontaneto d'Agogna è sede dei reparti di stampaggio plastica, delle isole di saldatura e marcatura laser e di assemblaggio dei prodotti dei brand SILFRA Bathroom Tech e CRISTINA Rubinetterie.

The pursuit of innovation lies at the heart of every project: their state-of-the-art machinery is supported by skilled artisans who intervene in the most delicate phases of the production process, ensuring maximum aesthetic value. This attention to detail contributes to the uniqueness of the Made in Italy brand and encapsulates all its culture.

Managing production internally is a strategic move, ensuring punctual control, ethical and sustainable production, and continuity of production in case of emergencies. It also generates a significant flow of knowledge, learning, and satisfaction for all stakeholders involved, resulting in the optimization of work processes. In this context of optimization and innovation, each of the four production plants located in the Novara area is dedicated to a specific production process. The two plants in Gozzano house centralized logistics

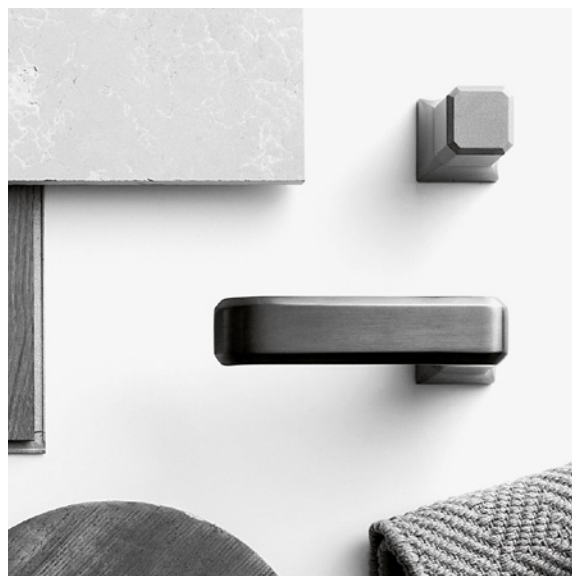
facilities with intensive warehouses for the preparation of semi-finished products. At the Gargallo site, the chrome-plating and galvanizing finishing departments converge, while the logistics hub in Fontaneto d'Agogna houses the plastic moulding departments, welding and laser marking stations, and product assembly departments for the SILFRA Bathroom Tech and CRISTINA Rubinetterie brands.



RESEARCH & DEVELOPMENT

Il forte investimento di capitali e risorse umane nell'attività di ricerca e sviluppo è poi un ulteriore tratto fondante in CRISTINA Rubinetterie, dove opera il CRISTINA Design Lab, dipartimento interno totalmente dedicato alla creazione di soluzioni innovative in grado di soddisfare le diverse esigenze del cliente. Nel corso degli anni, infatti, l'azienda si è contraddistinta sul mercato per essere pioniera di stili e tendenze: è stata tra le prime ad introdurre, nel 1968 in Europa, il miscelatore termostatico e a proporre una gamma di 100 colorazioni superficiali, grazie all'apertura di un reparto dedicato alla verniciatura e, successivamente, di uno alla galvanica, rivoluzionando così il comparto. La ricerca della qualità è un obiettivo strategico non solo nella progettazione ma anche nella ricerca di materie prime eccellenti, ecologiche, dalle straordinarie prestazioni

tecniche e in grado di resistere nel tempo, mantenendo intatta l'estetica. Ne è un esempio, l'utilizzo già dal 2003 dell'acciaio inox (garantito dal marchio di qualità rilasciato dal Centro Inox) a cui l'azienda ha dedicato un'intera divisione. Attenzione alla forma e conseguente evoluzione estetica sono determinanti per il successo di un prodotto. In costante ricerca di sguardi nuovi, l'azienda coinvolge un sempre più ampio team di designers la cui progettualità viene sviluppata in collaborazione con il CRISTINA Design Lab.



The strong investment of capital and human resources in research and development is another fundamental trait of CRISTINA Rubinetterie, where the

CRISTINA Design Lab operates as an internal department entirely dedicated to creating innovative solutions capable of meeting the diverse needs of customers.

Over the years, the company has distinguished itself in the market for being a pioneer of styles and trends: it was among the first in Europe to introduce the thermostatic mixer in 1968 and to offer a range of 100 surface colors, thanks to the opening of a dedicated painting department and subsequently a galvanizing department, thus revolutionizing the sector. The pursuit of quality is a strategic objective not only in design but also in the search for excellent, ecological raw materials with extraordinary technical performance that can withstand the test of time while maintaining their aesthetic value. An example of this is the use of stainless steel (guaranteed by the quality mark issued by Centro Inox) which the company has dedicated an entire division to since 2003.

Attention to form and subsequent aesthetic evolution are crucial to the success of a product. In constant search of fresh perspectives, the company involves an increasingly wider team of designers whose creativity is developed in collaboration with the CRISTINA Design Lab.

CRISTINA BRERA SHOWROOM

Inaugurato nel 2017, lo showroom proprietario situato a Milano nel cuore del Brera Design District, gioca un ruolo di vetrina e centro propulsore di dibattito e confronto con la clientela e il mondo dell'architettura. Nel 2023, lo spazio è stato sottoposto ad una revisione progettuale: l'esigenza era quella di proiettare la nuova immagine aziendale stabilendo con il visitatore una comunicazione immediata e aperta con un alto grado di espressività. Elisa Ossino, incaricata del progetto di interior dello spazio (200 mq su due livelli), ha riguardato innanzitutto la modalità di esposizione, per cui il rubinetto, considerato come oggetto, doveva essere percepito non solo dal punto di vista estetico o materico, quanto soprattutto per la funzionalità insita nel differente flusso dell'acqua, inteso come componente essenziale. Da qui l'idea di scardinare un'asettica esposizione in favore di un approccio emozionale, dato in primis dall'interazione del visitatore con elementi funzionanti.

Un polo creativo che esce dalla logica dello showroom tradizionale riscrivendo l'idea dello spazio espositivo, in cui gli oggetti concorrono a creare un'installazione, trasformandolo in un ambiente accogliente, perfetto per ospitare clienti, architetti, eventi e, perché no, anche mostre d'arte.

Inaugurated in 2017, the flagship showroom located in the heart of Milan's Brera Design District plays a role as a showcase and driving force for debate and discussion with its customers and the world of architecture. In 2023, the space underwent a redesign to project the new corporate image by establishing immediate and open communication with visitors with a high degree of expressiveness. Elisa Ossino, in charge of the interior design project for the 200 square meter space on two levels, first reconsidered the mode of display, for which the faucet, considered as an object, had to be perceived not only from an aesthetic or material perspective, but especially for the functionality inherent in the different flow of water, seen as an essential component. Hence the idea of breaking down an aseptic exhibition in favour of an emotional approach, given primarily by the interaction of the visitor with functioning elements.

A creative hub that goes beyond the logic of traditional showrooms, rewriting the idea of the exhibition space, in which objects contribute to creating an installation, transforming it into a welcoming environment, perfect for hosting clients, architects, events, and why not, also art exhibitions.



Company Certifications



QUALITY SYSTEM
CERTIFICATION ISO 9001



QUALITY SYSTEM
CERTIFICATION ISO 45001



LEED CERTIFICATIONS

GARANZIA, QUALITÀ E AMBIENTE

Per CRISTINA la soddisfazione del cliente è il principale obiettivo; prioritario è l'impegno a offrire sempre prodotti e servizi di elevata qualità. L'attenta scelta delle materie prime e il rigoroso controllo di ciascuna fase del processo produttivo assicurano un prodotto affidabile, dalle grandi prestazioni.

WARRANTY, QUALITY AND ENVIRONNEMENT

For CRISTINA, customer satisfaction is the main objective; our commitment to always offer high quality products and services takes top priority. Our reliable products, ensuring great performance, are the result of the careful selection of raw materials and the rigorous control at each stage of the production process.

TECNOLOGIE

CRISTINA investe in ricerca e sviluppo e realizza i propri prodotti utilizzando le tecnologie più all'avanguardia.

Il risultato? Ottime prestazioni, massima affidabilità ed estrema praticità di utilizzo, il tutto unito alla particolare attenzione rivolta.

TECHNOLOGIES

CRISTINA invests in research and development and manufactures its products using the latest technology. The result?

Excellent performance, high reliability and extreme ease of use, all this combined with special focus on saving water and energy.

FROM
YELLOW
TO...
GREEN!

Il claim aziendale From Yellow to... Green! si sta sempre più traducendo in una ferma consapevolezza etica e nel conseguente concreto agire.

The company claim From Yellow to... Green! is becoming more and more a firm ethical awareness and consequent concrete action.



- 1- Imprescindibile concetto di sostenibilità alla base dell'intera produzione di CRISTINA.
- 2- Investire nella green economy è un valore fondamentale per alimentare la macchina trasformativa di un'azienda.
- 3- Consapevole che sostenibilità significa tutela del territorio e attenzione per le future generazioni, CRISTINA Rubinetterie, ben lungi da un semplice green washing, sta implementando una serie di iniziative che vedono l'azienda sempre più impegnata nel processo di transizione ecologica.

- 1- Inescapable concept of sustainability at the basis of the entire production of CRISTINA.
- 2- Investing in the green economy is a fundamental value to fuel the transformational machine of a company.
- 3- Aware that sustainability means protecting the territory and caring for future generations, CRISTINA Rubinetterie, far from mere green washing, is implementing a series of initiatives in which the company is increasingly committed to the ecological transition process.

Prima puntata
First Chapter



IMBALLO

Un eco-pack che riguarda tanto la scelta del materiale quanto la veste grafica. La polpa di cartone riciclata e riciclabile ha sostituito infatti la plastica nell'imballaggio dei prodotti, rivelandosi altrettanto performativa durante il trasporto.

PACKAGING

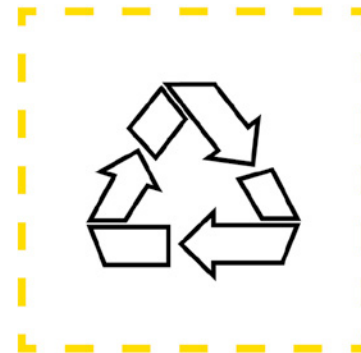
An eco-pack that applies as much to the choice of material as to the graphics. In fact, recycled and recyclable cardboard pulp has replaced plastic in the packaging of the products, proving to be equally performing during transport.

SMALTIMENTO PACKAGING

Un QR code posto all'esterno delle scatole ne indica il corretto smaltimento. Un added-value per l'azienda, attenta alle esigenze dei consumatori, sempre più sensibili all'impatto ambientale.

PACKAGING DISPOSAL

A QR code placed on the outside of the boxes indicates their correct disposal. An added value for the company, which is attentive to the needs of consumers who are becoming more and more environmentally sensitive.



RIFIUTI INDUSTRIALI

I rifiuti di produzione vengono differenziati con sempre maggiore attenzione per permetterne lo smaltimento sempre più specifico per tipologia.

INDUSTRIAL WASTE

Production waste is being sorted with increasing attention to allow more specific disposal by type.

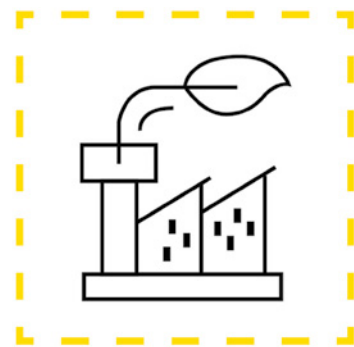
CONSUMO ENERGETICO

Vengono utilizzate progressivamente lampade LED a basso consumo energetico in tutti gli impianti di illuminazione degli stabilimenti.

ENERGY CONSUMPTION

Low-energy LED lamps are progressively used in all plant lighting systems.





EFFICIENTAMENTO MAGAZZINO

L'azienda ha finalizzato l'aggregazione delle unità di assemblaggio e di spedizione dei prodotti a marchio CRISTINA e SILFRA nell'unica sede di Fontaneto d'Agogna, questo efficientamento di magazzino ha prodotto una migliore gestione del lavoro e delle esigenze produttive, la semplificazione burocratica ed un minor numero di spostamenti nelle operazioni di trasporto volti a ridurre gli sprechi.

WAREHOUSE EFFICIENCIES

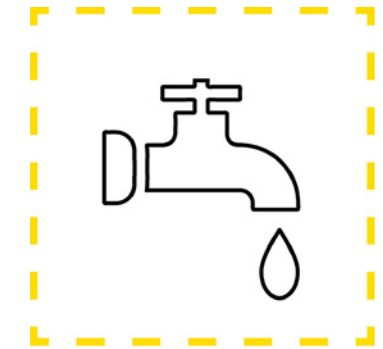
The company has finalized the aggregation of the assembly and shipping units of the CRISTINA and SILFRA branded products in the single site of Fontaneto d'Agogna, this warehouse efficiency has led not only to a better management of the work and production flow, but also to the simplification of bureaucratic procedures and fewer transport operations aiming to reduce waste.

AREATORE A RISPARMIO IDRICO

Le serie introdotte dal 2016 contemplano la riduzione del consumo dell'acqua, con progressi sempre più marcati in tema di sostenibilità.

WATER SAVING AERATOR

The series introduced in 2016 include the reduction of water consumption, with increasingly marked progress in the area of sustainability.



BENESSERE DEL LAVORATORE

La riqualificazione degli spazi interni dello stabilimento, più luminosi, aerati e salubri è volta anche a migliorare il benessere di chi vi lavora.

WORKER WELFARE

The redevelopment of the internal spaces of the plant, which are more luminous, ventilated and salubrious, is also aimed at improving the well-being of the workers.

Graphic Design
Marketing CRISTINA Rubinerterie

CRISTINA SRL a socio unico
via G. Fava, 56
28024 Gozzano (NO) - Italy
T +39 0322 9545
info@cristinagroup.com
cristinarubinerterie.com



CRISTINA srl è in possesso di un Sistema di Gestione Aziendale certificato secondo le norme UNI EN ISO 9001:2015 (Quality) e UNI ISO 45001:2018 (Health and Safety in the workplace).
CRISTINA Srl has a Company Management System certified according to UNI EN ISO 9001:2015 (Quality) e UNI ISO 45001:2018 (Health and Safety in the workplace).

Le immagini presenti sul catalogo ADD WATER mostrano una selezione della gamma CRISTINA Rubinerterie. Per l'offerta completa, vi invitiamo a consultare il Product Catalogue CRISTINA 2024.
The pictures shown in ADD WATER catalogue feature an overview of CRISTINA Rubinerterie offer. We invite you to check CRISTINA Product Catalogue 2024, for the complete range.

L'azienda si riserva il diritto di apportare modifiche che riterrà opportune, utili a migliorare la funzionalità e l'estetica dei propri prodotti senza preavviso.
The company reserves the right to make any appropriate modifications to improve functionality and design of its products without notice.